



INFINITI

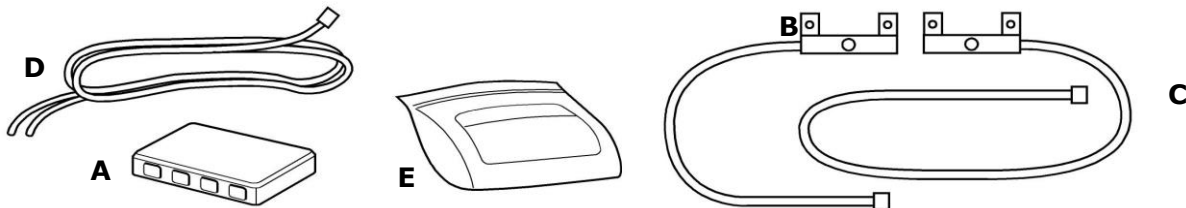
GENUINE PARTS

INSTALLATION INSTRUCTIONS

DESCRIPTION: Ambient Lighting - Footwell Lighting Kit
APPLICATION: Infiniti Q50
PART NUMBER: 999F3 Y2000 - Accent Lighting Kit.
 999Q9 AY001 - Accessory Service Connector

KIT CONTENTS:

Item	QTY	Description	Service Part Number
A	1	Control module	999F3 AW060
B	1	LED Lamp and harness assembly 70 cm	999F3 Y2011
C	1	LED Lamp and harness assembly 140 cm	999F3 Y2010
D	1	Vehicle Interface Harness	999F3 AW050
E	1	Miscellaneous Parts Kit (see BOM for details)	999F3 Y2020



ITEMS NOT IN KIT THAT MAY BE REQUIRED

AAA	1	Accessory Service Connector	999Q9 AY001
-----	---	-----------------------------	-------------



TOOLS REQUIRED

- Trim stick
- Needle nose pliers
- #2 Phillips screwdriver
- Drill Motor
- 3/16" drill bit
- Electrical tape, masking tape.
- Scissors
- Protective cloth
- 1/2" drill bit

PRE-INSTALLATION CAUTION/NOTES

- Dealer installation recommended. Instructions may refer to Service Manual
- Installation may require special tools
- This part is to be installed within a surface temperature range of 65-100°F

⚠ CAUTION

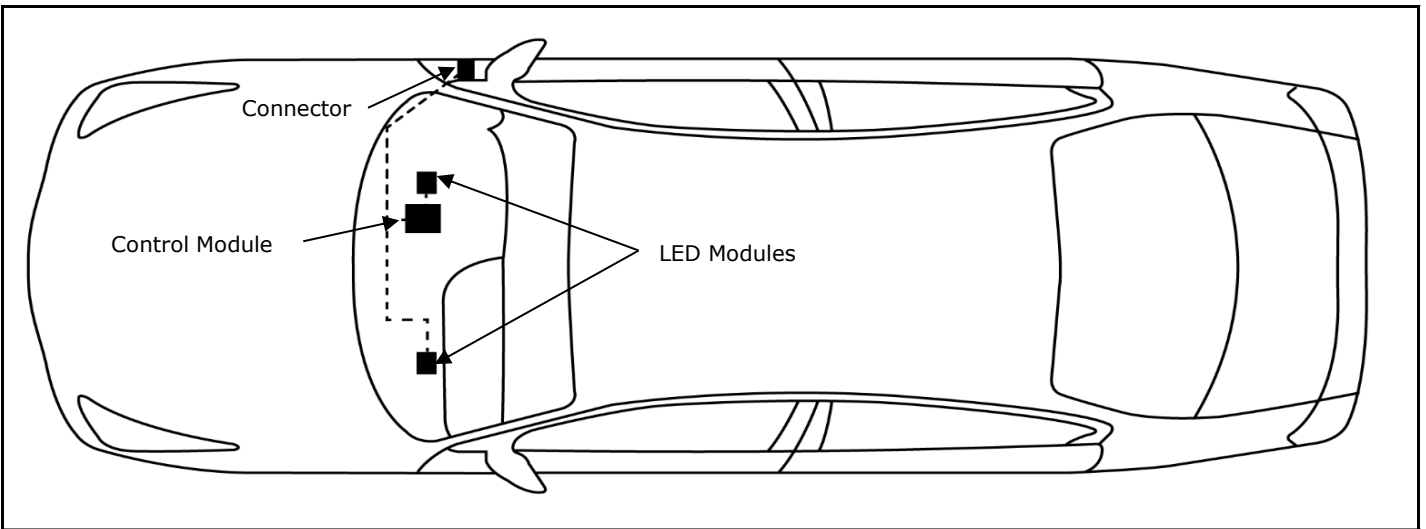
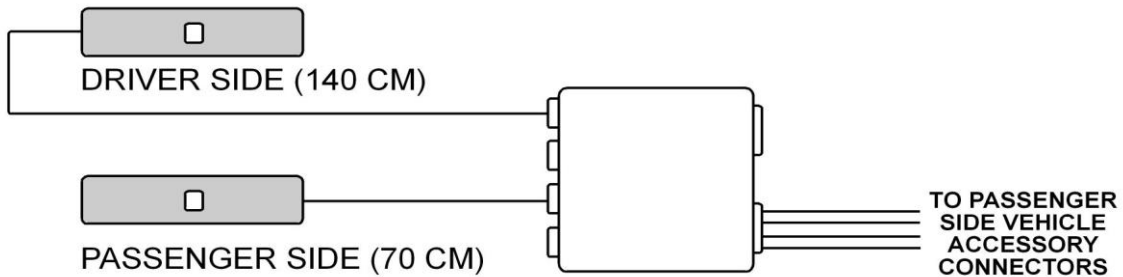
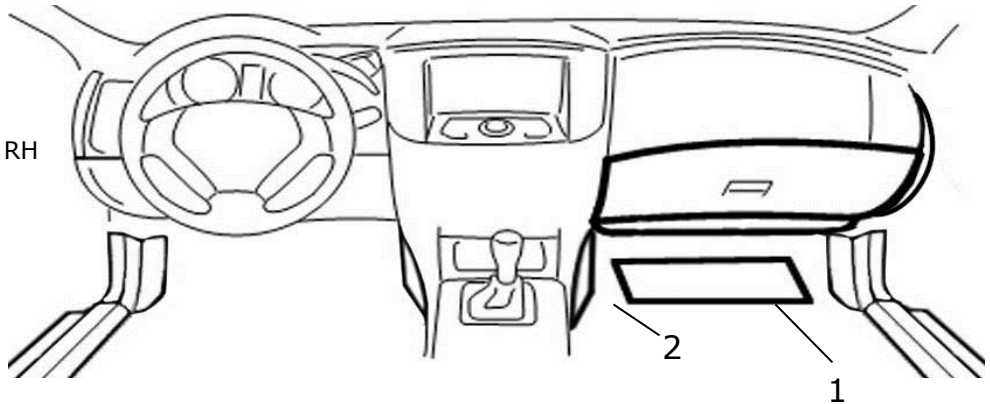
- This accessory must only be installed as specified in these instructions.
- Ensure at all times that parts are securely fitted and will not compromise the safe function of vehicle systems.

INSTALLATION INSTRUCTIONS - Footwell lighting Kit

INSTALLATION OVERVIEW

REMOVAL SEQUENCE

1. Cover Instrument Lower RH
2. Center Trim Panel, RH



The following steps are critical and must be performed **EXACTLY** as specified to ensure proper installation:

- Location of the lights must be followed exactly as described in this instruction.
- Posi-Tap™ instructions must be specifically followed as described.

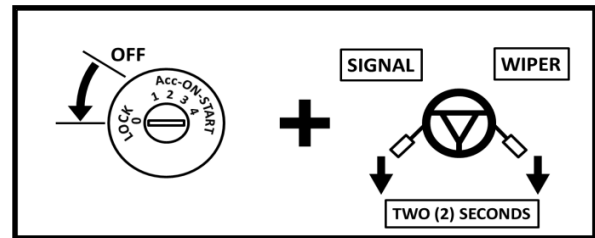
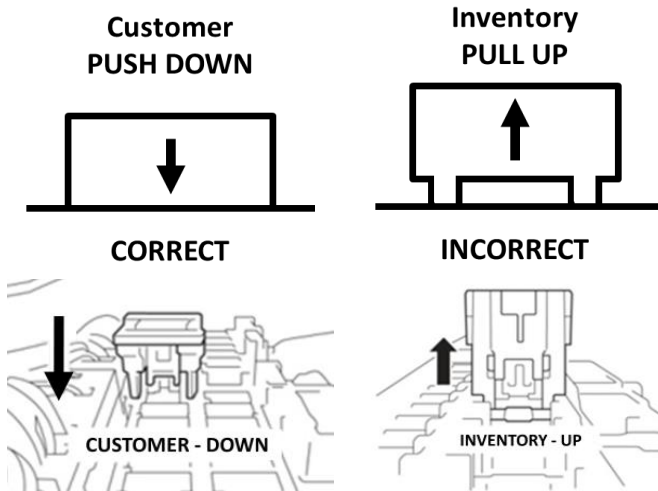
Vehicle Preparation:

⚠ CAUTION

• Always confirm the ignition is in the "OFF" position before changing the switch condition.

- 1) Apply parking brake
- 2) Confirm vehicle is not in the default shipping state or "Inventory position" as shown below. Failure to confirm vehicle has been removed from this state will result in loss of normal vehicle operation.
- 3) Locate Extended Storage Switch in cabin fuse block. Confirm it is in the "Customer" position. See below for reference.
 - a) To remove transit mode (Fuse Block):
 1. Remove fuse cover lid.
 2. Push down shorting pin.
 3. Ign On 2 times without starting the vehicle.
 - b) To remove transit mode (BCM):
 1. Confirm ignition switch is in "OFF" position.
 2. Simultaneously push the signal and wiper switch fully down for two (2) seconds.

NOTE: While in BCM Transit Mode, turn signal indicators will remain illuminated for one minute.



- c) To return to transit mode for storage:
 1. Ign Off.
 2. Remove fuse cover lid.
 3. Pull up shorting pin.
 4. Assemble fuse cover lid.
 5. Ign On 2 times without turn the vehicle on.
 6. Confirm transit mode condition on meter

NOTE: Typical vehicle condition shown above. Switch is easily identifiable by the permanent, push-pull fuse holder. Actual position on the fuse block may vary, vehicle to vehicle.

Condition	Switch Position	Note
Vehicle is delivered to the dealer	Inventory Condition	
Technician performs PDI	Customer Delivery	Return to Inventory position after PDI.
Customer test drives the vehicle	Customer Delivery	Return to Inventory position after test drive.
Vehicle is being stored at the dealer	Inventory Condition	
Vehicle is delivered to customer	Customer Delivery	

NOTE: The Extended Storage Switch is only an aid to improve battery life during vehicle storage at the dealer. If the Extended Storage Switch fuse ever needs service after vehicle delivery, discard the Extended Storage Switch and install the correct fuse in its place.

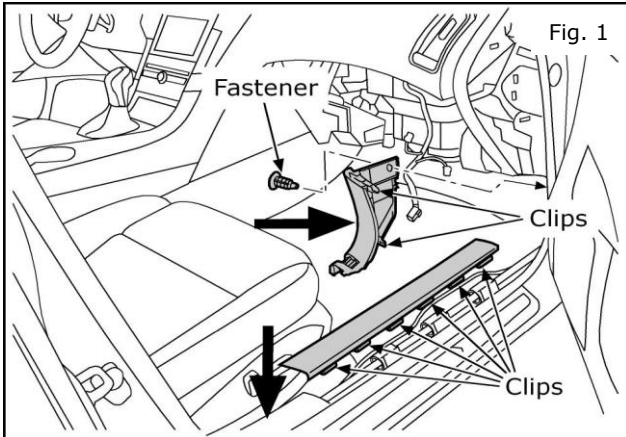
- 4) Turn ignition switch to "ON" position
- 5) Record the customer radio presets and other presets as required.

Preset	1	2	3	4	5	6		

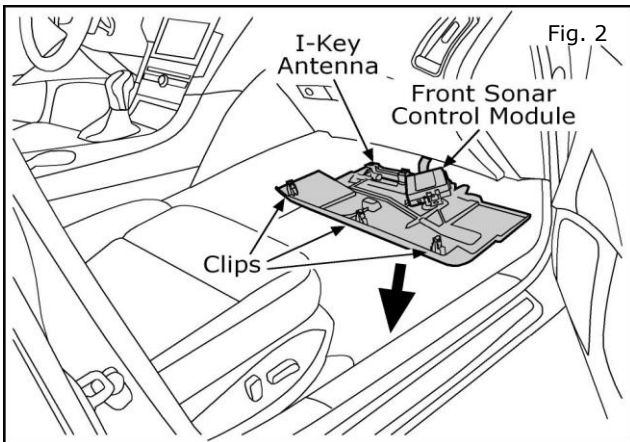
- 6) Put shift lever in "P" position for A/T and CVT or "1st" for M/T
- 7) Turn ignition switch to "OFF" position
- 8) Use seat and floor protection.

INSTALLATION INSTRUCTIONS - Footwell Lighting Kit

INSTALLATION:



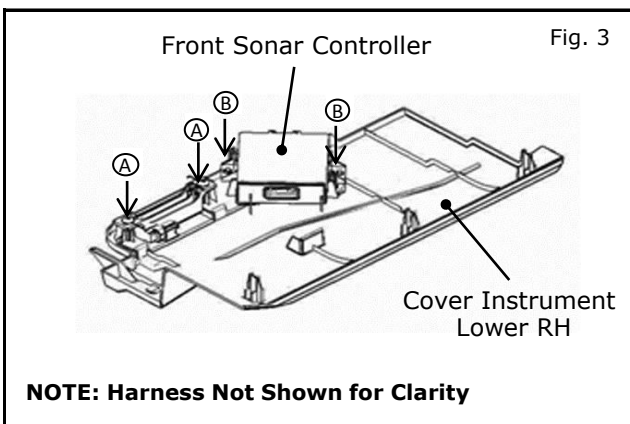
- 1) Remove passenger side outer footwell trim panel and one (1) fastener clip. Remove passenger side trim panel along bottom door seal.



- 2) Carefully pry down the Cover Instrument. Lower RH from underneath the glovebox.

NOTE:

DO NOT UNPLUG THE CONNECTORS FROM THE KEY FOB SENSOR OR THE FRONT SONAR CONTROLLER. BOTH UNITS MUST BE REMOVED WITHOUT BEING DISCONNECTED FROM THE HARNESS.



NOTE: Harness Not Shown for Clarity

- 3) I-Key Antenna removal.
 - a) Remove two Phillips head screws (A) as shown.
 - b) **Leave the connector attached**

Front Sonar Controller removal.

- a) Remove two Phillips head screws (B) as shown.

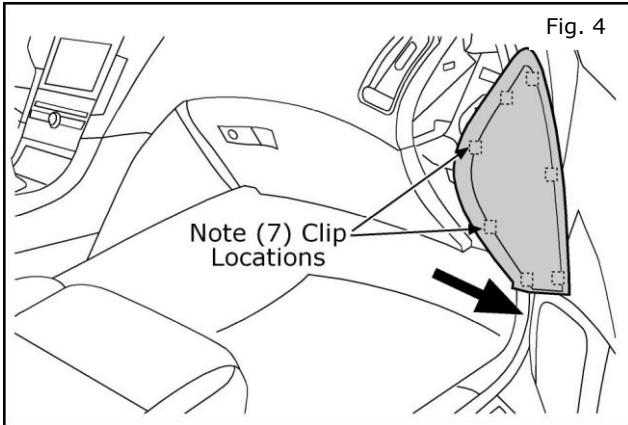
NOTE:

The screws at (B) attach through the other side of the Cover Instrument Lower RH

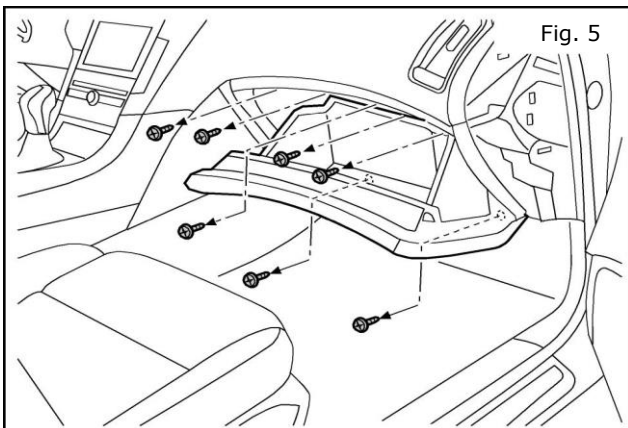
- b) **Leave the connector attached**

INSTALLATION INSTRUCTIONS - Footwell Lighting Kit

INSTALLATION:



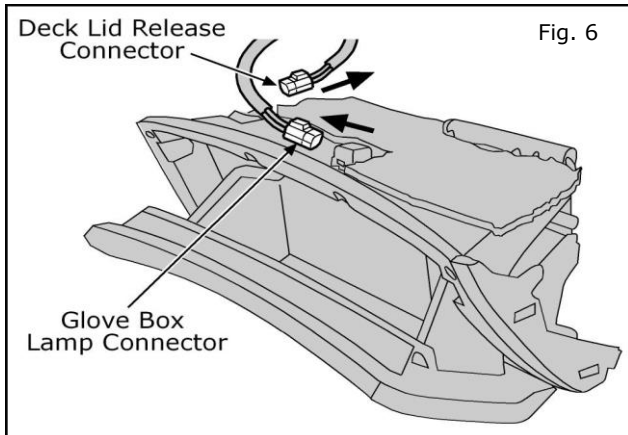
- 4) Use a trim stick at clip locations to carefully remove the Instrument Side Finisher RH by pulling it straight out from the end of the dash.



- 5) Open the glovebox door. Remove two (2) phillips head screws from the underside of the glovebox. Remove four (4) phillips head screws from the top edge of the glovebox and one (1) phillip head screw from the inside center of the glovebox compartment.

NOTE:

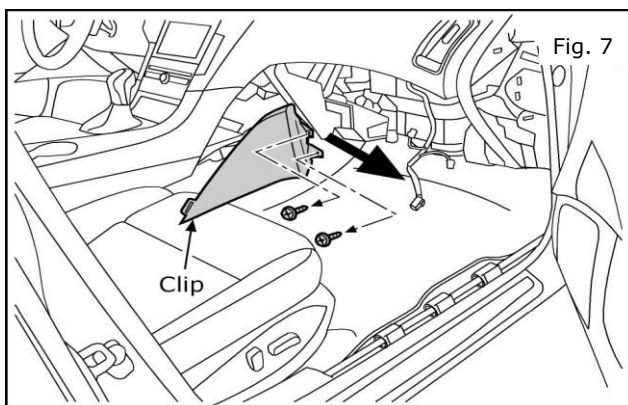
Place fasteners in secure location for later reinstallation.



- 6) Carefully pull out the glovebox assembly. Unplug and remove the the glovebox lamp and deck lid release connectors. Fully remove the glovebox assembly and set aside.

NOTE:

Place glovebox assembly on a protected work surface to avoid any scratches or damage.



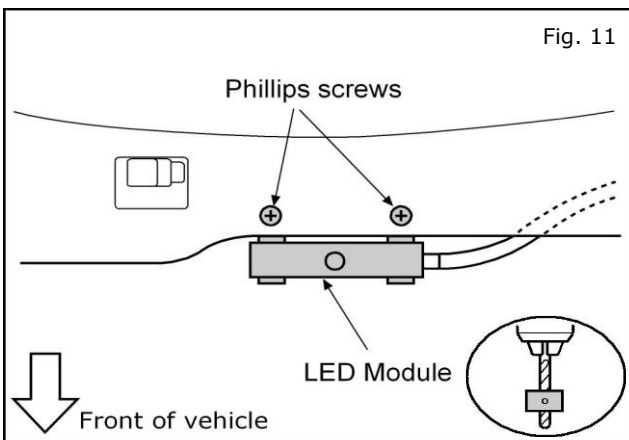
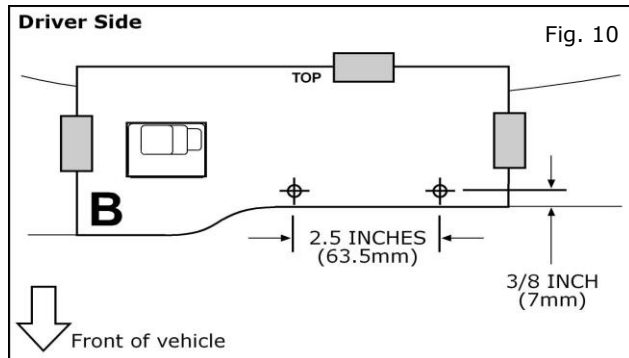
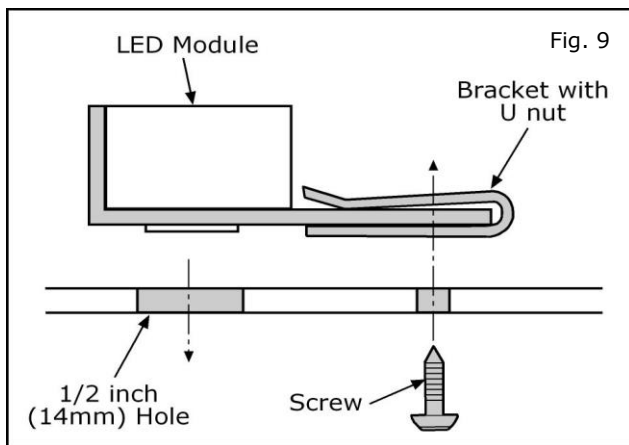
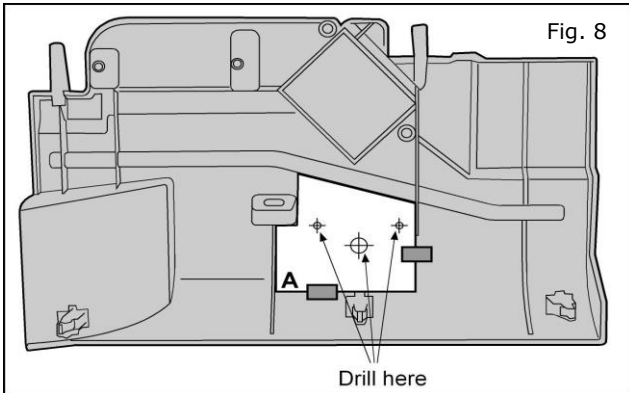
- 7) Remove two (2) phillips head screws from the front edge of the passenger side inner trim panel. Carefully pry out the center trim panel from the passenger side of the center stack.

NOTE:

Be careful not to damage any clips on the panel during removal.

INSTALLATION INSTRUCTIONS - Footwell Lighting Kit

INSTALLATION:



- 8) Place lower glovebox trim panel on a protected work surface.

Trim out template "A" and tape into place inside the panel as shown. Mark and drill two (2) 3/16 inch holes and one (1) 1/2 inch hole at locations indicated on template. Remove template. Clean any flashing from hole.

- 9) Position passenger side LED Module over 1/2 inch hole. Using two (2) phillips screws from lower side of panel, securely attach two (2) "L" brackets with U nuts to inside of trim panel.

NOTE:

Passenger side LED Module is connected to the shorter 70cm harness.

- 10) Trim out template "B" and tape into place on bottom of the steering finisher as shown. Template should be positioned along bottom edge with letter "B" on left hand side.

- 11) Mark and drill two (2) 3/16 inch holes at locations indicated on template. Remove template. Clean any flashing from hole.

NOTE:

Use a 5mm drill stop to avoid damaging the existing wire harness.

- 12) Place driver side LED module on inside of panel with LED facing downward. Use two (2) phillips screws from outside of panel to mount driver side LED module.

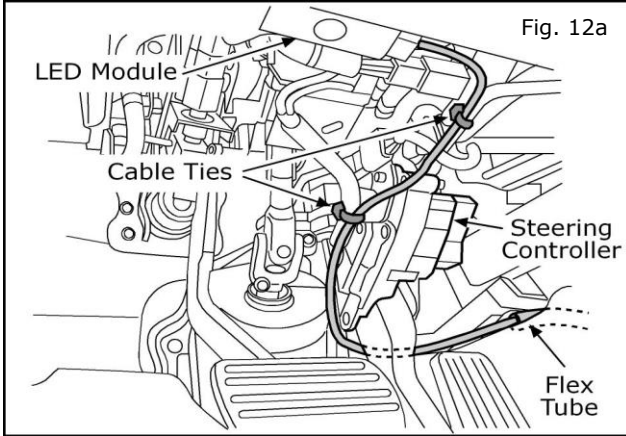
NOTE:

1. **Driver side LED Module is connected to the longer 140cm harness.**
2. **It may be easier to fish the Driver's side LED from the Driver's side to the Passenger side.**

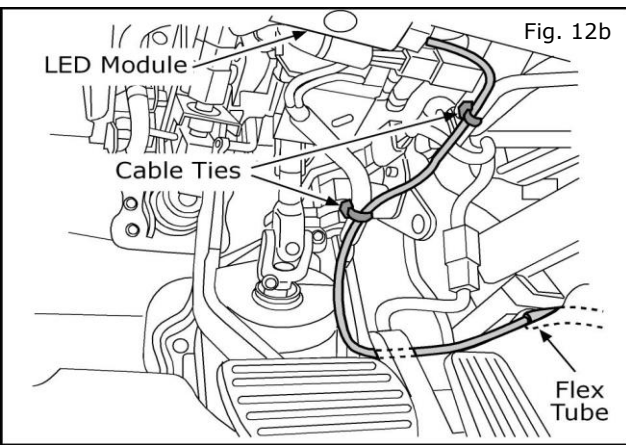
INSTALLATION INSTRUCTIONS - Footwell Lighting Kit

INSTALLATION:

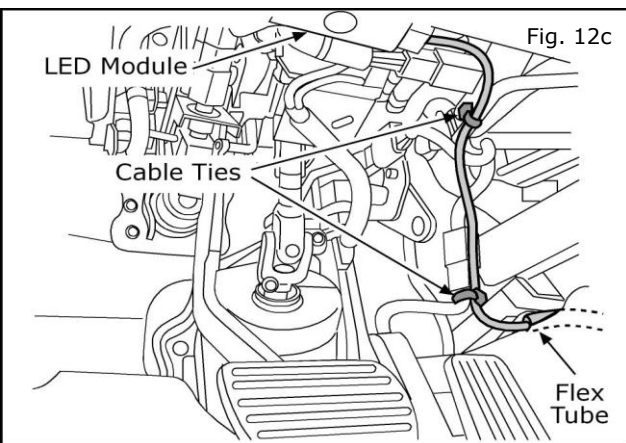
- 13) Route the driver side harness along the existing vehicle harness, through the center stack and out towards the passenger footwell. **Identify which steering system the vehicle has and follow the routing accordingly as shown.** Secure with cable ties as shown.



POWER STEERING WITH STEER-BY-WIRE



POWER STEERING



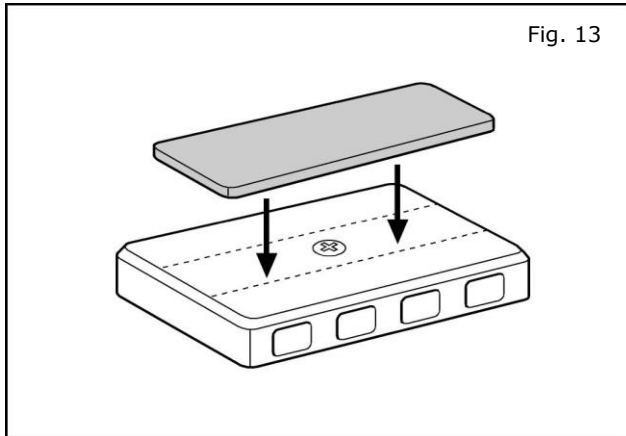
MANUAL STEERING

NOTE:

A section of corrugated flex tubing is included on the harness. This tubing should be positioned behind the center stack to protect the wiring. A fish wire tool is recommended to guide the harness through the center stack.

INSTALLATION INSTRUCTIONS - Footwell Lighting Kit

INSTALLATION:



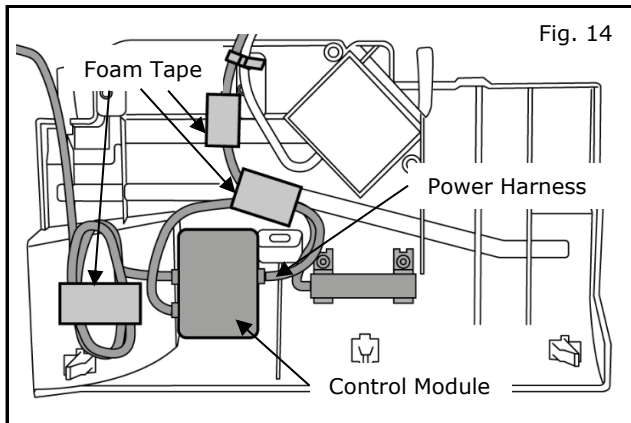
NOTE:

Attach one (1) 58mm x 82mm foam tape to the underside of the accessory control module, covering the screw in the center.

- 14) Place one (1) piece of foam tape over top of accessory controller.
It should be on the opposite side of the sticky foam tape covering the screw.

NOTE:

Do NOT pull cover off tape on controller at this time.



- 15) Plug all harnesses into control module as shown in Fig. 14.

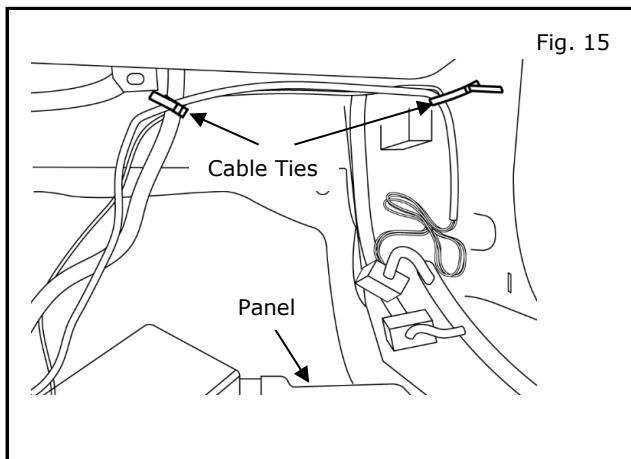
NOTE:

Be sure to connect all harness plugs to the control module BEFORE final mounting.

- 16) Peel cover off tape on controller. Securely place controller on inside surface of lower glovebox trim panel as shown.

NOTE:

Control module should contact harness attachment feature as shown.



- 17) Reinstall I-Key antenna and front sonar control module. See Fig. 15.

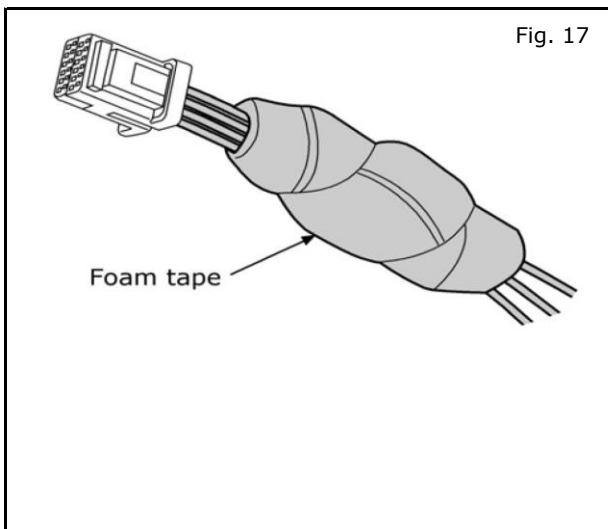
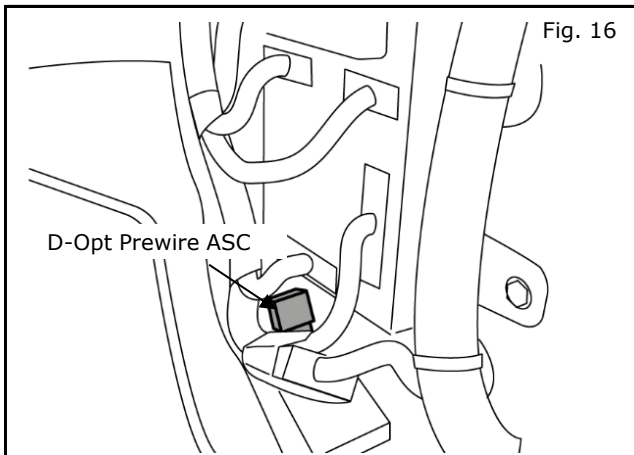
NOTE:

Do not apply any foam tape to top of control module.

- 18) Lay panel on passenger floor as shown in fig. 15. Route power harness along vehicle harnesses as shown with tie straps to the Accessory Connector Location.

INSTALLATION INSTRUCTIONS - Footwell Lighting Kit

INSTALLATION:



- 19) Locating accessory service connector.
- Locate passenger side Accessory Service Connector plug behind glovebox on right side of footwell as shown.

NOTE:

- If there is already an Accessory Service Connector in the passenger side read step 19-b, if not, proceed to step 20.**
- If there is not an Accessory Service Connector in the passenger side remove the dummy plug in connector.**

- If there is already an Accessory Service Connector in the passenger side remove it before continuing.
- Remove any foam tape present before adding any positaps as shown in Fig. 12. See posi-tap instructions on pages 11-14.

NOTE:

If there is not an Accessory Service Connector present in the passenger side connector order from service dept. REFERENCE PART NUMBER 999Q9 AY001.

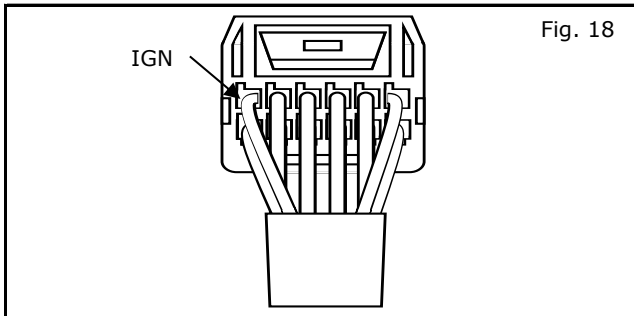
NOTE:

REFER TO ACCESSORY CONNECTOR DIAGRAM ON PAGE 8 and Mechanization B.

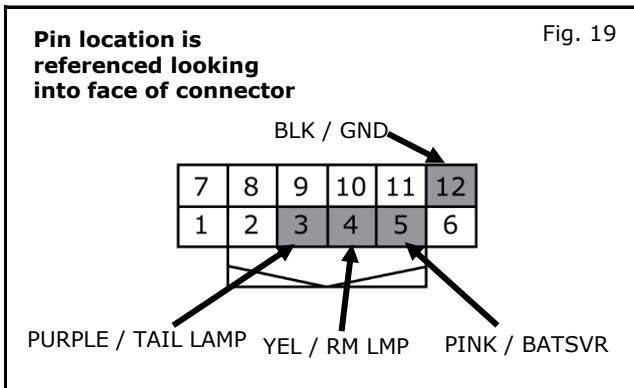
INSTALLATION INSTRUCTIONS - Footwell Lighting Kit

⚠ CAUTION

- This Accessory Service Connector is for use only with Genuine Nissan (or Infiniti) or Nissan (or Infiniti) approved accessories. Use of this connector with non Genuine Nissan (or Infiniti) or Nissan (or Infiniti) approved accessories or failure to follow the installation instructions for the connector contained in this package may result in damage to the accessory and/or your vehicle. Nissan (or Infiniti) is not liable for loss or damage due to improper installation or the installation of non Genuine or non approved accessories.



20) Locate ignition wire on Accessory Service Connector.



NOTE:

Pin location in Fig. 19 is referenced looking into face of connector.

- 21) Use posi-taps to connecto wiring as follows:
- a) **Black** wire from Control Module to **Black** wire on Connector Harness.
 - b) **Green** wire from Control Module to **Pink** wire on Connector Harness.
 - c) **Blue** wire from Control Module to **Purple** wire on Connector Harness.
 - d) **Brown** wire from Control Module to **Yellow** wire on Connector Harness.

NOTE:

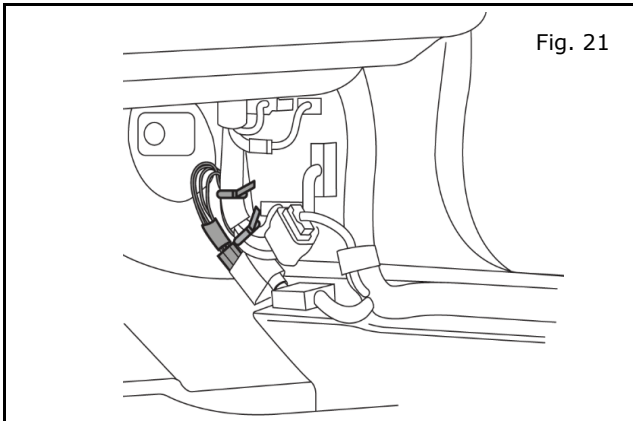
**HARNESS NOT INCLUDED IN KIT.
REFERENCE PART NUMBER 999Q9 AY001.**

Fig. 20

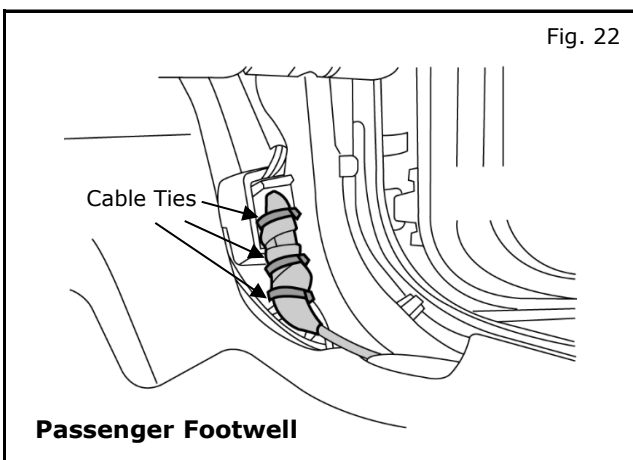
999Q9 AY001		
Pin	Label	Color
1	IGN	WHITE
2	BAT	RED
3	TL_LMP	PURPLE
4	RM_LMP	YELLOW
5	BATSVR	PINK
6	FR_DR_SW_RH	DK GRN
7	FR_DR_SW_LH	LT GRN
8	THRU SIGNAL 1	GREY
9	RR_DR_RH	DK BLUE
10	RR_DR_LH	LT BLUE
11	ACC	ORANGE
12	GND	BLACK

INSTALLATION INSTRUCTIONS - Footwell Lighting Kit

INSTALLATION



- 22) Plug accessory connector harness into vehicle connector plug on passenger side.



- 23) Use a cable tie to secure connector and any excess bundled wiring to existing harness as shown.

NOTE:

Refer to Posi-Tap steps on pages 12 through 14 for proper wire wrapping procedures.

NOTE:

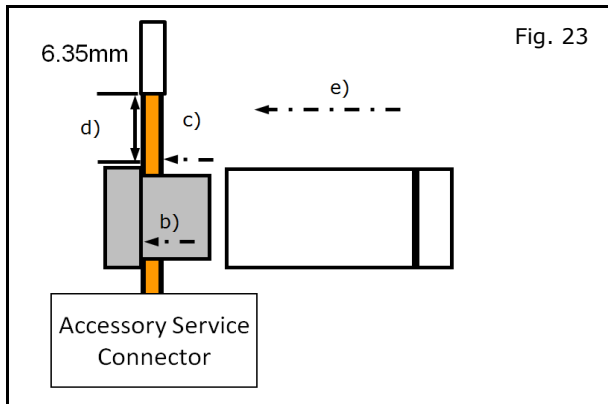
Reconnect Battery. Allow 3 minutes after positive terminal reconnect before separating or reconnecting any connectors.

NOTE:

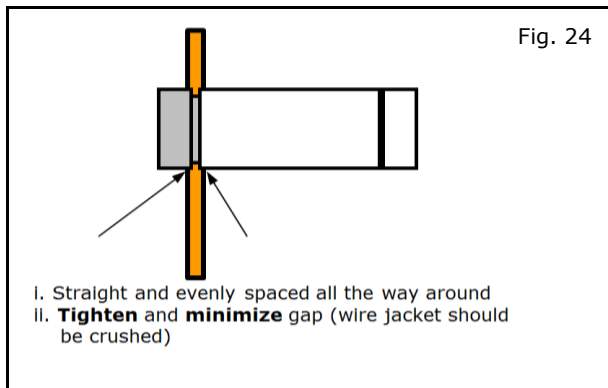
Perform functional check of system before reinstalling all panels.

INSTALLATION INSTRUCTIONS - Footwell Lighting Kit

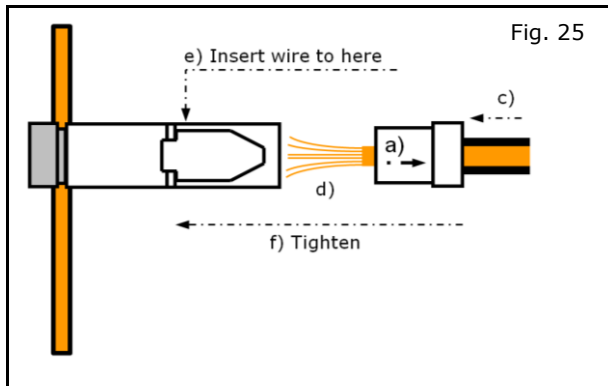
INSTALLATION:



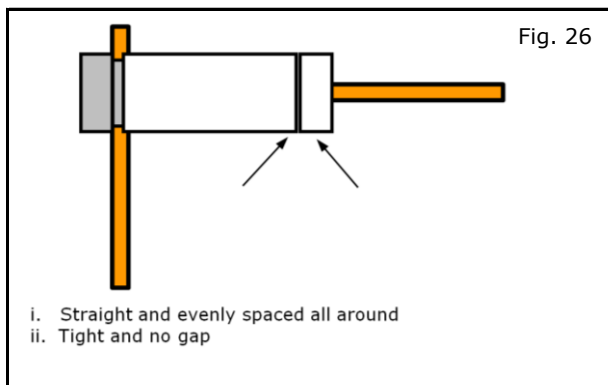
- 24) Posi-tapping an Accessory service wire (Fig. 23)
- Identify and confirm correct wire in the Accessory Service Connector to be tapped.
 - Remove cap (slot side) from tap body.
 - Slide cap around single accessory wire.
 - Position cap $\geq 6.35\text{mm}$ (0.25in) away from the heat shrink end of Accessory Service Connector (measurement for first posi-tap installed on the circuit).
 - Tighten the tap **TIGHT** with finger pressure.
 - Tighten by another quarter turn.



- 25) Inspecting the tap for correct installation (Fig. 24).
- Pull on the wire lightly to ensure connection.
 - Inspect the tap to ensure correct installation.
 - Test the signal to ensure that it is working properly.



- 26) Tap accessory wire (Fig. 25).
- Remove tap (non-pierce) side from tap.
 - Remove the protective stub from the wire.
 - Insert wire through the non-pierce side opening.
 - Spread the individual strands into fan shape.
 - Insert wire into the tap body and ensure that it is all the way in.
 - Tighten the tap **TIGHT** with finger pressure.
 - Tighten by another quarter turn.



- 27) Confirm the tapped accessory wire.
- Pull on the wire lightly to ensure connection.
 - Inspect the tap to ensure correct installation as shown in Fig. 26.

INSTALLATION INSTRUCTIONS - Footwell Lighting Kit

INSTALLATION:

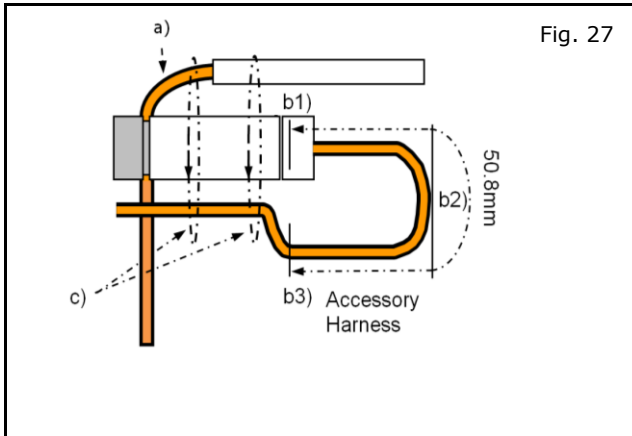


Fig. 27

- 28) Forming strain relief loop - required (Fig. 27).
- Gently bend end of pierced wire (where it exits cap) down towards body of posi-tap.
 - On tapped side wire; starting at point b1), measure 50mm to point b3). Make first bend of loop b2), half measured distance - 25mm, and up toward body of posi-tap, make second bend of loop b3).
 - Secure pierced wire on heat shrink side and tapped wire to body of tap with electrical tape (≥ 2 revolutions).

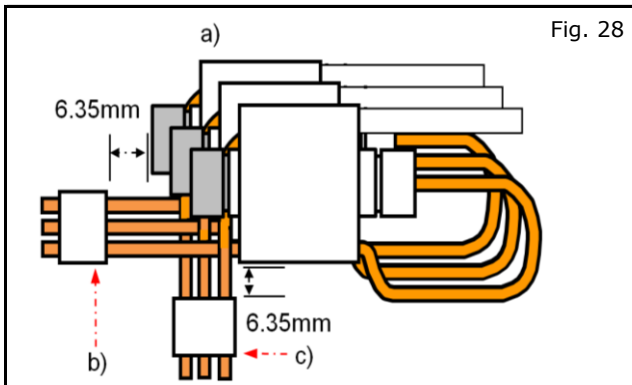


Fig. 28

- 29) Securing multiple accessory taps (Fig. 28).
- Tapped accessories (wires already secured to tap bodies) are stacked in a stagger on top of each other as shown in Fig a).
 - Secure tapped wires on connector side of posi-taps to each other with electrical tape (≥ 2 revolutions) at a distance of ≥ 6.35 mm as shown in Fig b).
 - Pierced wires of posi-taps are secured to each other with electrical tape (≥ 2 revolutions) at a distance of ≥ 6.35 mm (0.25in) as shown in Fig c).

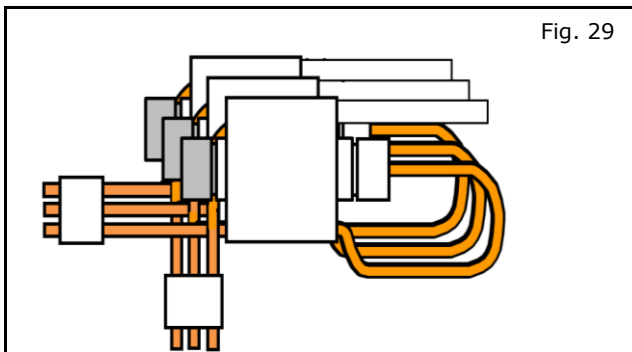


Fig. 29

- 30) Securing multiple accessory taps (Fig. 29).
- Make sure the accessory taps have been wrapped appropriately as detailed previously and as shown.

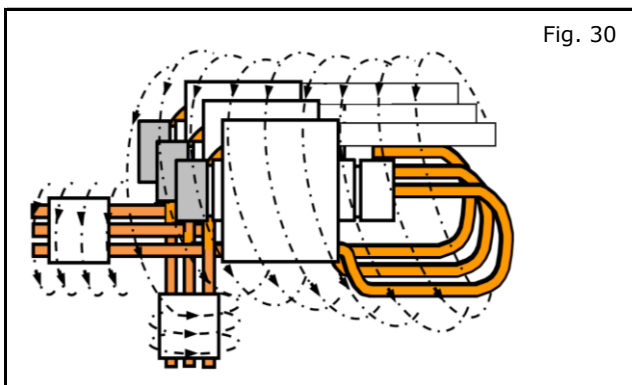


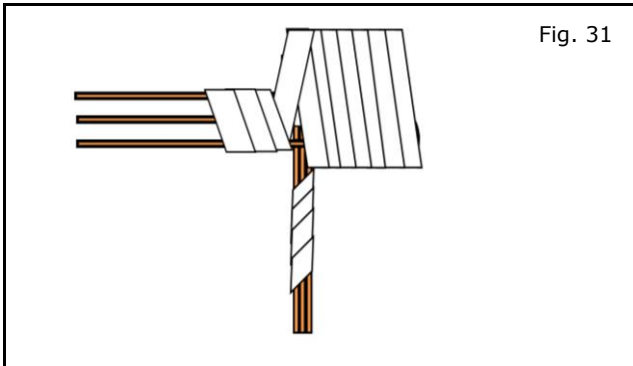
Fig. 30

- 31) Securing multiple accessory taps
- Starting at heat shrink; firmly wrap posi-tap bundle with electrical tape or non-adhesive wire harness tape, making sure to overlap previous revolution.

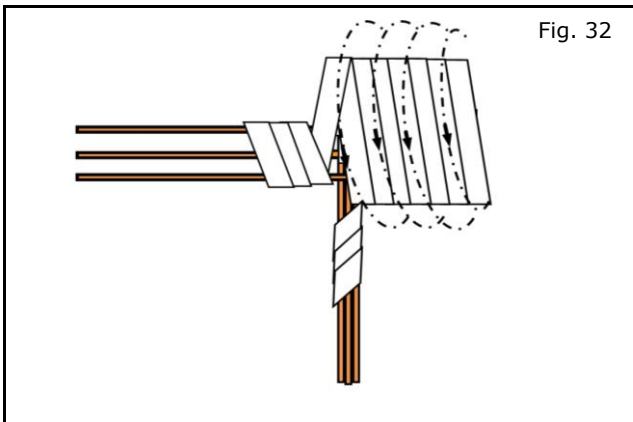
Note: If using non adhesive tape secure at the of wrap with electrical tape ≥ 2 revolutions.

INSTALLATION INSTRUCTIONS - Footwell Lighting Kit

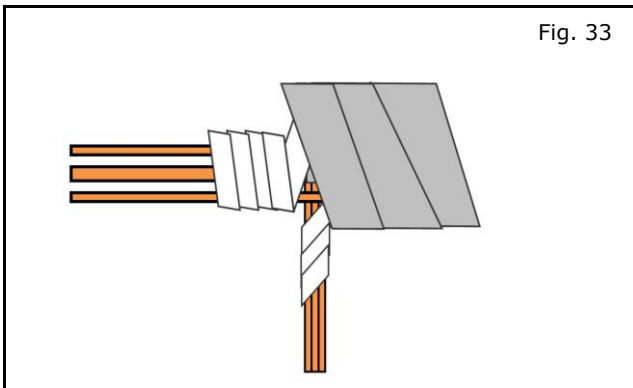
INSTALLATION:



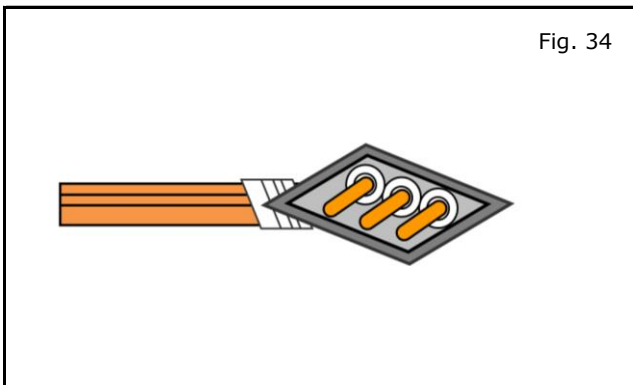
- 32) Securing multiple accessory taps
a) Make sure the finished wrap looks similar to Fig. 31.



- 33) Foam wrap for posi-tap bundle (foam strips)
a) Wrap the posi-tap bundle with foam tape, following a pattern similar to the electrical tape, making the best use of foam strips provided.



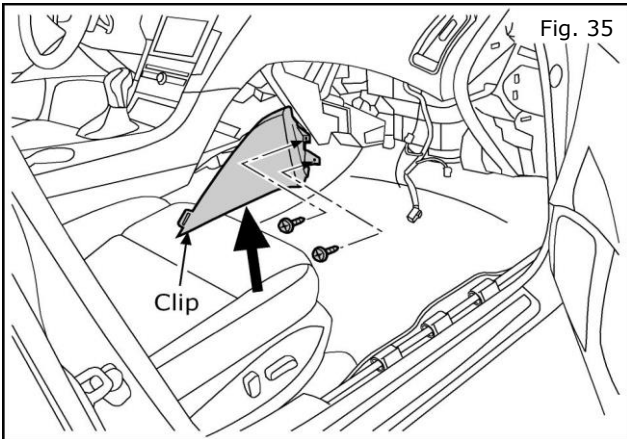
- 34) Finished foam wrap for bundle (strips-top view)
a) Make sure the finished wrap looks similar to Fig. 33.



- 35) Finished foam wrap for bundle (strips-side view)
a) Make sure the finished wrap looks similar to what is shown in Fig. 34.

INSTALLATION INSTRUCTIONS - Footwell Lighting Kit

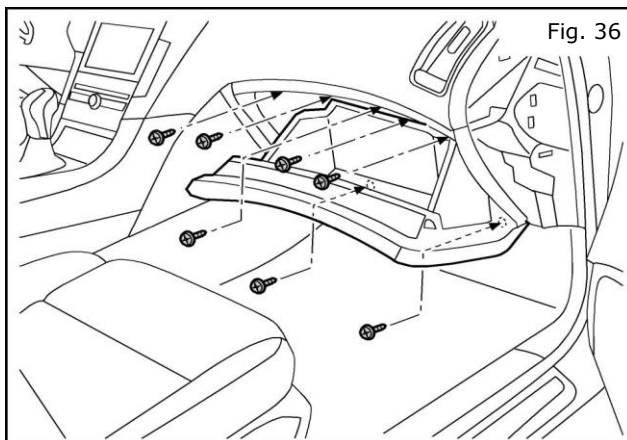
INSTALLATION:



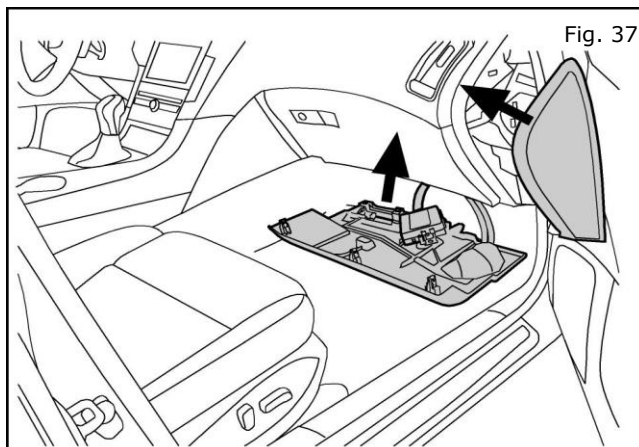
- 36) Reinstall the center trim panel at the passenger side of the center stack. Reinstall two (2) phillips head screws at the front edge of the trim panel.

NOTE:

Be careful not to damage any clips on the panels during reinstallation.



- 37) **Reinstall** the glovebox. **Reconnect** all harness connectors (see Fig. 5). **Reinstall** seven (7) phillips head screws on the glovebox compartment.



- 38) Reinstall instrument finisher RH.

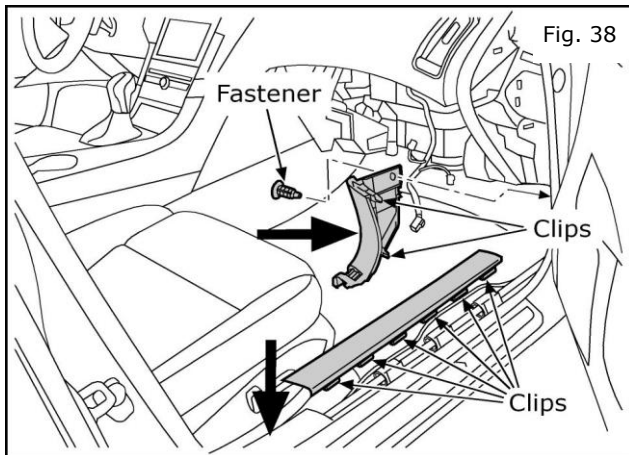
Reinstall cover instrument lower LH.

NOTE:

Trim all cable ties. Check installation.

INSTALLATION INSTRUCTIONS - Footwell Lighting Kit

INSTALLATION:



39) Reinstall cover instrument lower RH from underneath glovebox.

40) Reinstall trim panels.

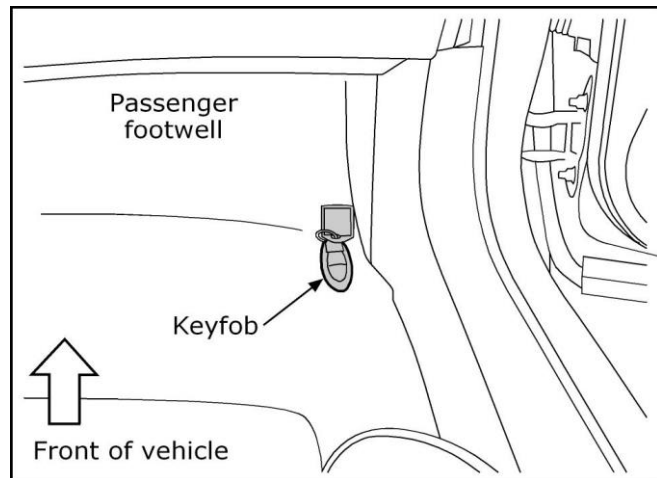
NOTE:

Be sure all clips are properly aligned. Be careful not to damage any clips on panels during reinstallation.

INSTALLATION INSTRUCTIONS - Footwell Lighting Kit

15. CHECK OUT

- (1) Shut all doors on the vehicle.
- (2) Wait until all interior lamps go out.
- (3) Turn on the headlamps.
- (4) Verify that both LEDs come on.
- (5) Verify that trunk release switch located inside glovebox operates properly.
- (6) Verify that dome lamp operates properly.
- (7) Verify *that glovebox* lamp operates properly. Turn on headlamps, open glove box and note whether light goes on.
- (8) Verify that the Key FOB Sensor operates properly. Place key fob in the front outer corner of the passenger footwell and start vehicle. Note whether vehicle starts
- (9) Verify that the Front Sonar Module is properly connected - Turn on vehicle, put vehicle in 'Drive'. Move slowly towards a large object in front of vehicle. Note whether alarm sounds.
- (10) Check and clear trouble codes (DTC).
- (11) Check power window auto-up control. If it is not functioning properly, hold switch in "up" position for 5 seconds.
- (12) Check the trim for a proper, flush fit after re-installing the interior components.
- (13) Clean the interior of the vehicle.
- (14) Inspect the vehicle interior and exterior for damage.
- (15) If this vehicle will be returned to a dealer lot or showroom for an extended period of time, be sure the extended storage switch is placed in the "inventory" position. (Refer to section 9 - Vehicle Preparation)
- (15) If vehicle is NOT going into storage, reset the radio presets to the recorded settings.



Note: When diagnosing electrical system problems, first disconnect the accessory connectors and note effect on system. Continue the investigation with the accessory connectors disconnected. Remember to reconnect the accessories when the investigation is complete.

Posi-Tap™ is protected by patent # 5,228,875 5,695,369 5,868,589 6,692,313 Jap 2881414 Aus 708700
Tia 103534 Can 2204826 Mex 200626 Korea 477279 China Z197105562.9 & others pending.

INSTALLATION INSTRUCTIONS - Footwell Lighting Kit

16. BILL OF MATERIALS

Nissan Universal Accent Lighting Kit - 999F3 Y2000

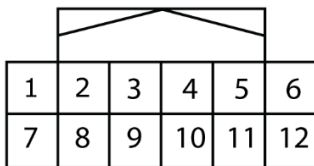
	Parts Contained in Bag Labelled 'Installation Kit'.	Qty	Part Number
1	Accent Lighting Controller (Single Color - White)	1	999F3 AW060
2	LED Lamp Assembly (w/Harness) 70 CM	1	999F3 Y2011
3	LED Lamp Assembly (w/Harness) 140 CM	1	999F3 Y2010
4	Vehicle Interface Harness	1	999F3 AW050
5	Miscellaneous Parts Kit	1	999F3 Y2020
6	CABLE TIE 4" BLACK	12	
7	80 X 30 X 5MM THICK FOAM	16	
8	POSI-TAP (20AWG/0.5mm ² TYPE)	4	
9	SCREW N8, 1/2" LG HEAD, BLACK	4	
10	MODULE ADHESIVE PAD 53MM X 33MM	1	
11	WHITE PAPER LABEL 14MM X 33MM	1	
12	POLYTHENE 8" X 12" BAG	3	
13	POLYTHENE 102" X 140" BAG	1	
14	PACKING ID LABEL	1	
15	CABLE TIE 15" BLACK	6	
16	Website Instructions w/Parts List	1	999V2 AW000
17	Installation Instructions (Website)	0	999F3 Y2000 II
18	Accessory Connector Harness (NOT INCLUDED IN KIT)	1	999Q9 AY001
19	Black Foam Patch, 150mm x 230mm (NOT INCLUDED IN KIT) Not Required for 16MY	1	24271-ZW40A

INSTALLATION INSTRUCTIONS - Footwell Lighting Kit

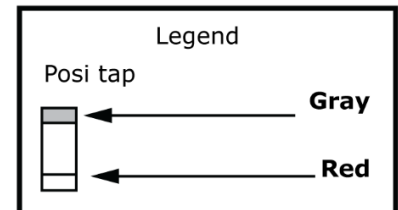
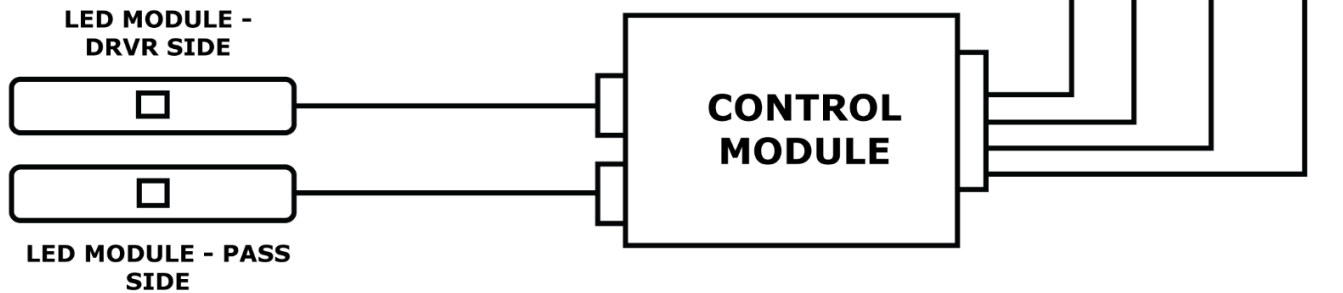
17. MECHANIZATION



TH12MW-NH



NOTE:
Pin location is referenced looking into wire side of connector.

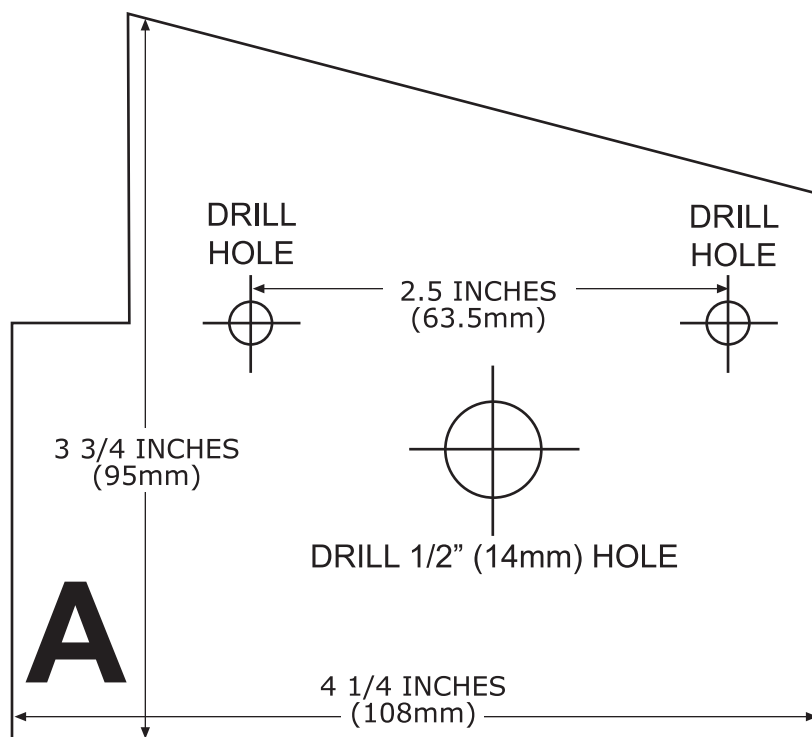


INSTALLATION INSTRUCTIONS - Footwell Lighting Kit

18. TEMPLATE A

SCALE
1 inch

 **10mm**



IMPORTANT: BE SURE PRINTER PAGE SETTING IS PROPERLY ADJUSTED SO TEMPLATE PRINTS AT ACTUAL SIZE.

VERIFY ACCURATE SIZING WITH A RULER BEFORE TRIMMING OUT TEMPLATE.

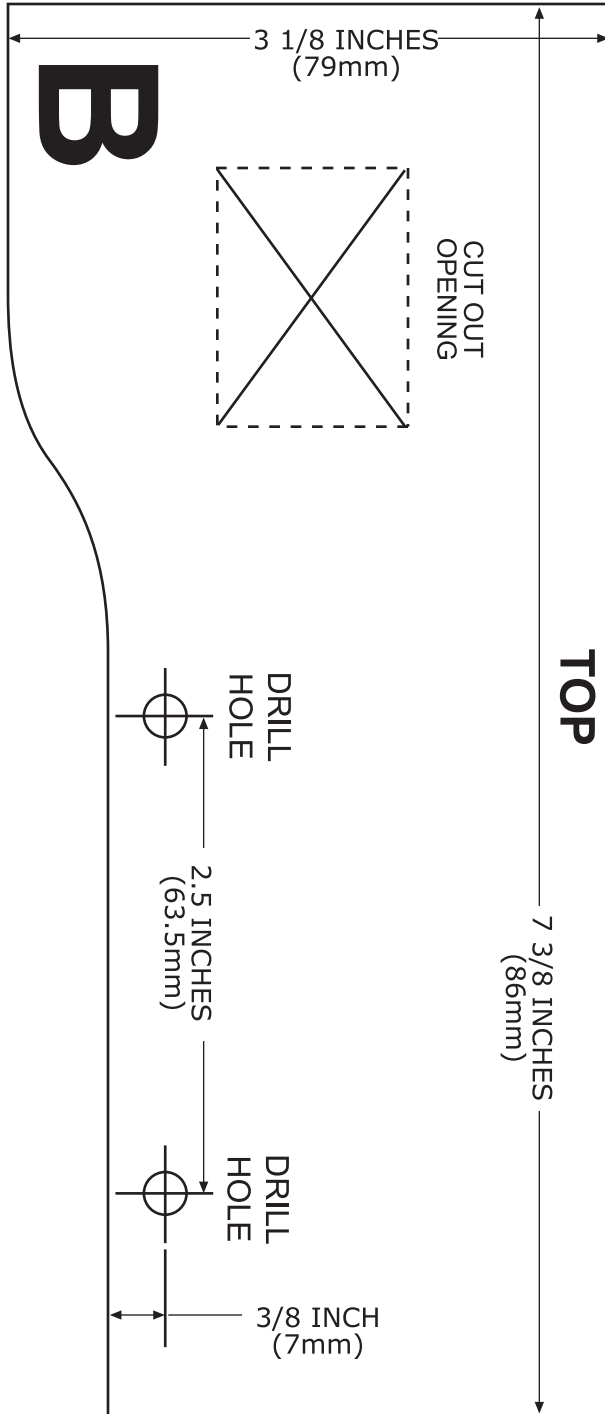
INSTALLATION INSTRUCTIONS - Footwell Lighting Kit

18. TEMPLATE A

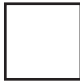
(BACK BLANK PAGE)

INSTALLATION INSTRUCTIONS - Footwell Lighting Kit

19. TEMPLATE B



SCALE
1 inch

 **10mm**

**IMPORTANT: BE SURE
PRINTER PAGE SETTING
IS PROPERLY ADJUSTED
SO TEMPLATE PRINTS
AT ACTUAL SIZE.**

**VERIFY ACCURATE SIZING
WITH A RULER BEFORE
TRIMMING OUT TEMPLATE.**

INSTALLATION INSTRUCTIONS - Footwell Lighting Kit

19. TEMPLATE B

(BACK BLANK PAGE)